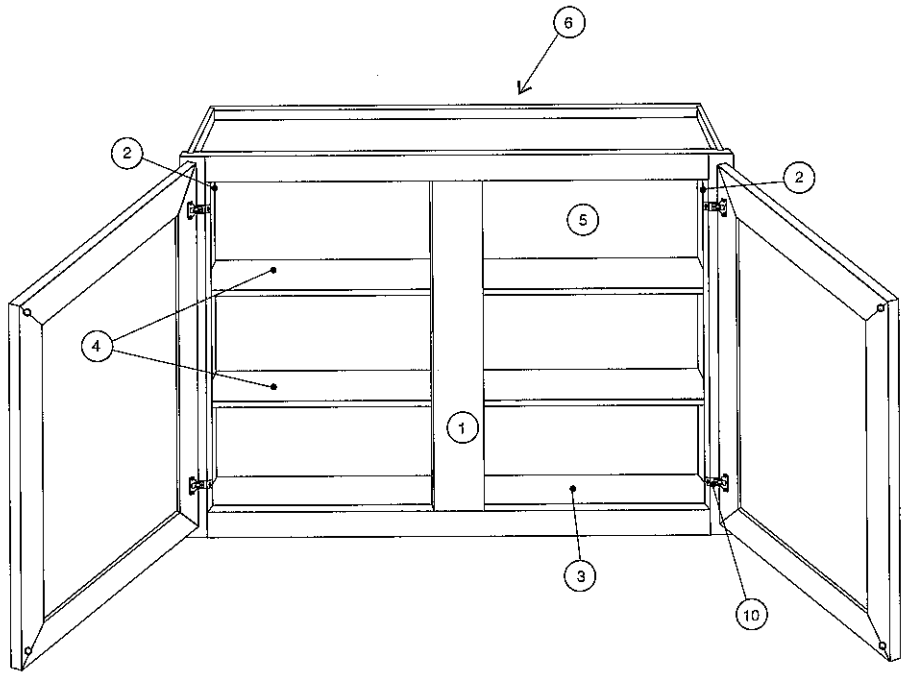
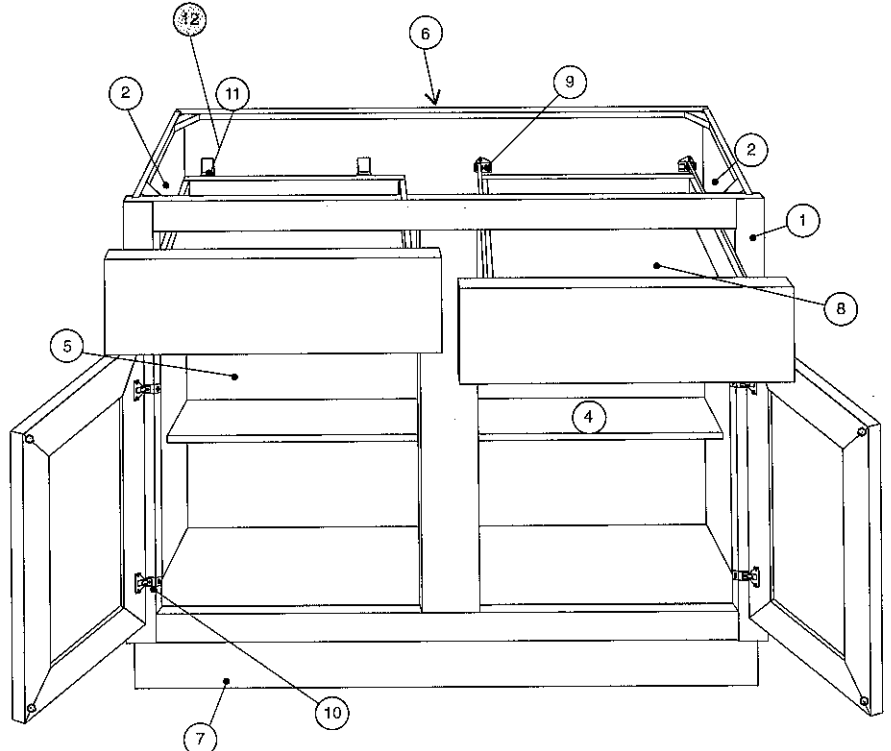


# CABINET SPECIFICATIONS



- 1 Face Frames
- 2 End Panels
- 3 Tops & Bottoms
- 4 Shelves
- 5 Backs
- 6 Installation Rail



- 7 Toe Space
- 8 Drawer Box
- 9 Drawer Guides
- 10 Hinges
- 11 Full Ext. Undermount  
Drawer Guide

**12 Tandem Plus Blumotion  
Drawer Guide**